

Desanding plant Type BE-170-60 with 1 x 15"- Cyclone

The compact desanding plants for separating solids and liquids

FIELDS OF APPLICATION:

- Slurry supported grab works for piles and diaphragm walls
- Deep drilling
- Microtunneling
- Aggregate processing
- Mining Industry

Description of Plant:


The Desanding plant consists of the following main component assemblies:

- 1 Base- und protective frame incl. tank
 - 1 Screen assy complete with vibration motor
 - 1 Cyclone frame with 1 x 15 " cyclone
 - 1 Deflector box
 - 1 Pump unit with conveyor line
 - Cable Remote Control
 - **1 Electrical Control System**
for manual operation of the entire desanding plant.
The control system is installed in fully operational condition in a steel-sheet control cabinet, wired, and function-tested in accordance with the regulations of the Association of German Electrical Engineers (VDE).
All control and indicator elements required for operating and monitoring the plant are functionally arranged in the cable remote control.
- Main Functions:**
- Main Switch
 - EMERGENCY STOP
 - Pump "ON / OFF"
 - Dewatering screen "ON / OFF"
 - ON SITE control / Remote control selector switch
 - TROUBLE alarming

Technical Specifications:

Transport dimensions approx. L x W x H:	2 880 x 2 275 x 2 245 mm
Weight approx.:	5100 kg
Complete plant dimensions approx. L x W x H:	2 880 x 2 275 x 2 245 mm
Complete weight approx.:	5100 kg
Plant power input approx.:	32,2 kW
Mains AC supply voltage:	400 V (+/- 5%)
Frequency:	50 Hz
Capacity:	170 m ³ /h
Pump motor:	30 kW
Vibration motor:	2 x 1,1 kW
Cut point d ₅₀ :	0,060 mm

We reserve the right to make technical modifications without prior notice and without assuming any obligation with respect to equipment previously supplied. The equipment shown may include optional special features. Technical data does not take into account operational efficiency. Error and misprints reserved.

MAT Mischanlagentechnik GmbH Illerstrasse 6 D-87509 Immenstadt, Germany	Phone +49 (0) 8323 / 9641-0 Fax +49 (0) 8323 / 9641-650 Email mat@mat-oa.de http// www.mat-oa.de	BE-170-60_AN50020164_2013.12.03_EN.doc © 2009 by MAT GmbH	
	Page 1 of 2		

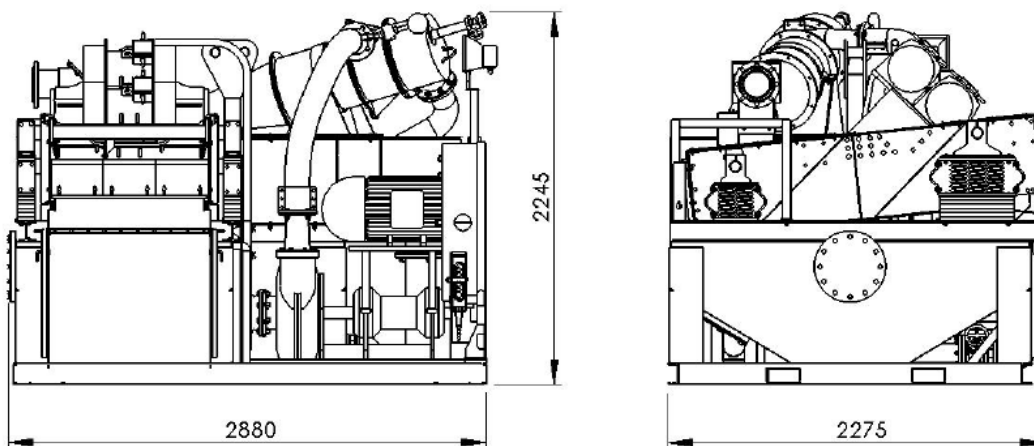
Desanding plant Type BE-170-60 with 1 x 15"- Cyclone

Coarse sieve:	Mesh width	5 x 25 mm (*1)
	Sieve area	0,6 m ²
Dewatering sieve:	Mesh width	0,25 x 16 mm (*1)
	Sieve area	1,2 m ²
Cyclon diameter:		375 mm

(*1) = Mesh width depending on the properties of the slurry.

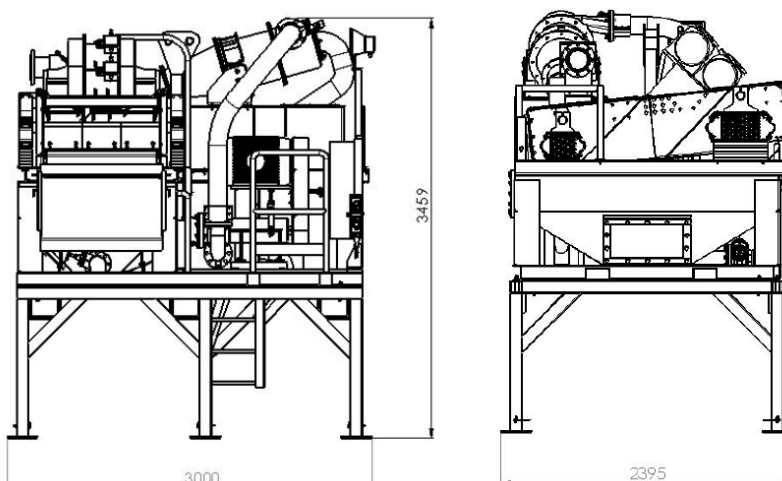
Interface Specifications:

- | | |
|---------------------------------|--|
| 1. Mains AC Power Supply | 1x Terminal bar |
| 2. Charging- interface | 1x DN150, PN10 |
| 3. Remote Control | 1 Industry quality socket outlet 10 pole |



Accessories (Optional):

- AN50020166:**
Base frame for BE-170-60



We reserve the right to make technical modifications without prior notice and without assuming any obligation with respect to equipment previously supplied. The equipment shown may include optional special features. Technical data does not take into account operational efficiency. Error and misprints reserved.