

**Desanding plant
Type BE-275-60 with 1 x 18"- Cyclone**

The compact desanding plants for separating solids and liquids

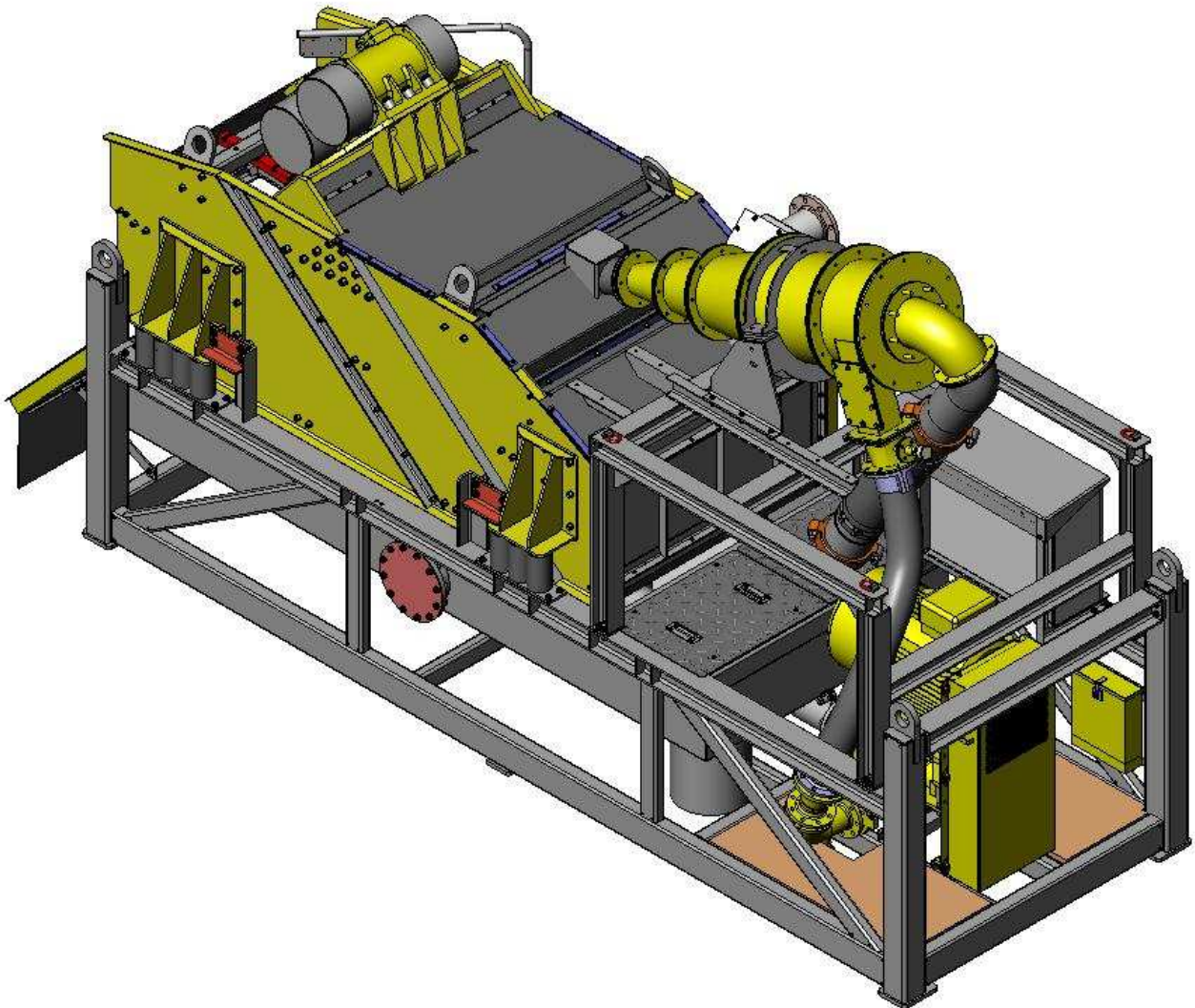


Image similar

FIELDS OF APPLICATION:

The compact desanding plants for separating solids and liquids for:

- Slurry supported grab works for piles and diaphragm walls
- Deep drilling
- Microtunneling
- Aggregate processing
- Mining Industry

We reserve the right to make technical modifications without prior notice and without assuming any obligation with respect to equipment previously supplied. The equipment shown may include optional special features. Technical data does not take into account operational efficiency. Error and misprints reserved.

MAT Mischanlagentechnik GmbH
Illerstrasse 6
D-87509 Immenstadt, Germany

Phone +49 (0) 8323 / 9641-0
Fax +49 (0) 8323 / 9641-650
Email mat@mat-oa.de
http// www.mat-oa.de

BE-275-60_AN50020069_2011.07.13_EN.doc

© 2009 by MAT GmbH

Page 1 of 2



Desanding plant

Type BE-275-60 with 1 x 18"- Cyclone

Description of Plant:

The Desanding plant consists of the following main component assemblies:

- 1 Base- und protective frame incl. tank
- 1 Double-Decker screen assy consisting of dewatering sieve und coarse sieve complete with vibration motor and slide plate
- 1 Cyclone frame with 1 x 18 " cyclone
- 1 Deflector box
- 1 Pump unit consisting of pump, motor and V-belt drive incl. conveyor line
- **1 Electrical Control System**
for manual operation of the entire desanding plant.
The control system is installed in fully operational condition in a steel-sheet control cabinet, wired, and function-tested in accordance with the regulations of the Association of German Electrical Engineers (VDE).
All control and indicator elements required for operating and monitoring the plant are functionally arranged in the front door of the control cabinet and accordingly in the cable remote control.

Main Functions:

- Main Switch
- EMERGENCY STOP
- Pump "ON / OFF"
- Coarse sieve "ON / OFF"
- Dewatering screen "ON / OFF"
- TROUBLE alarming

Technical Specifications:

Transport dimensions approx. L x W x H:	5 110 x 1 765 x 2 630 mm
Weight approx.:	5410 kg
Transport dimensions Cyclone top approx. L x W x H:	2 655 x 1 715 x 2 040 mm
Weight Cyclone top approx.:	590 kg
Complete plant dimensions approx. L x W x H:	5 110 x 1 765 x 3 074 mm
Complete weight approx.:	6000 kg
Plant power input approx.:	73 kW
Mains AC supply voltage:	400 V (+/- 5%)
Frequency:	50 Hz
Capacity:	275 m ³ /h
Pump motor:	55 kW
Vibration motor:	2 x 7 kW
Cut point d ₅₀ :	0,060 mm
Coarse sieve:	Mesh width 5 x 50 mm (*1)
	Sieve area max. 4,2 m ²
Dewatering sieve:	Mesh width 0,4 x 16 mm (*1)
	Sieve area max. 3,6 m ²
Cyclon diameter:	450 mm

(*1) = Mesh width depending on the properties of the slurry.

Interface Specifications:

1. Mains AC Power Supply 1x Terminal bar
2. Mains AC Power Supply optional vibrator or Coarse sieve 2x CEE standard inlet plug 5-pole; 16 A
3. Charging- interface 1x DN150, PN10

We reserve the right to make technical modifications without prior notice and without assuming any obligation with respect to equipment previously supplied. The equipment shown may include optional special features. Technical data does not take into account operational efficiency. Error and misprints reserved.

MAT Mischanlagentechnik GmbH Illerstrasse 6 D-87509 Immenstadt, Germany	Phone +49 (0) 8323 / 9641-0	BE-275-60_AN50020069_2011.07.13_EN.doc
	Fax +49 (0) 8323 / 9641-650	© 2009 by MAT GmbH
	Email mat@mat-oa.de	Page 2 of 2
	http// www.mat-oa.de	